**Maintenance No. 2 x 2**

**A** Remove halliard wire from drum (6) by releasing grub screws (3) and remove winch from boat.

**B** Remove base plate (11) by releasing six allen screws (12).

**C** Remove locking arm (1).

**D** Lift off brake strap (13).

**E** Remove ratchet ring (14).

**F** Before removing planet wheel assembly (9), mark clearly each idler gear (15) and opposing gear teeth on drum (6) so that it can be reassembled in the same mesh.

**G** Remove planet wheel assembly (9) from spindle (2).

**H** Remove spindle (2), complete with bearings (7 & 8) from drum (6).

**I** Remove bearings (7 & 8) from spindle (2).

**J** Remove drum (6) from drum casing (1).

**K** Clean outer surface of ratchet

ring (14) with light abrasive.

**L** Clean thorough all parts using kerosene (paraffin) or white spirit. Dry with a non-fluffy cloth. Ensure that the outer surface of ratchet ring (14) and inner surface of brake strap (13) are free from grease.

**M** Check tape bearing (19) in drum casing (1).

**N** Check that pawls and springs (4 & 5) in drum (6) are free and oil lightly.

**O** Replace bearings (7 & 8) on spindle (2) and lightly grease.

**P** Insert spindle (2), complete with bearings (7 & 8) in drum (6).

**Q** Place drum (6) and spindle (2) in drum casing (1).

**R** Check that pawls and springs (4 & 5) on planet wheel assembly (9) are free and oil lightly.

**S** Lightly grease idler gears (15).

**T** Replace planet wheel assembly (9) on spindle (17) ensuring that gears are meshed as marked in F

above.

**U** Replace ratchet ring (14) on planet wheel assembly (9). Check that ratchet ring (14) is fitted correctly to ensure that pawls (4) are properly located in ratchet ring (14). See inset detailed drawing.

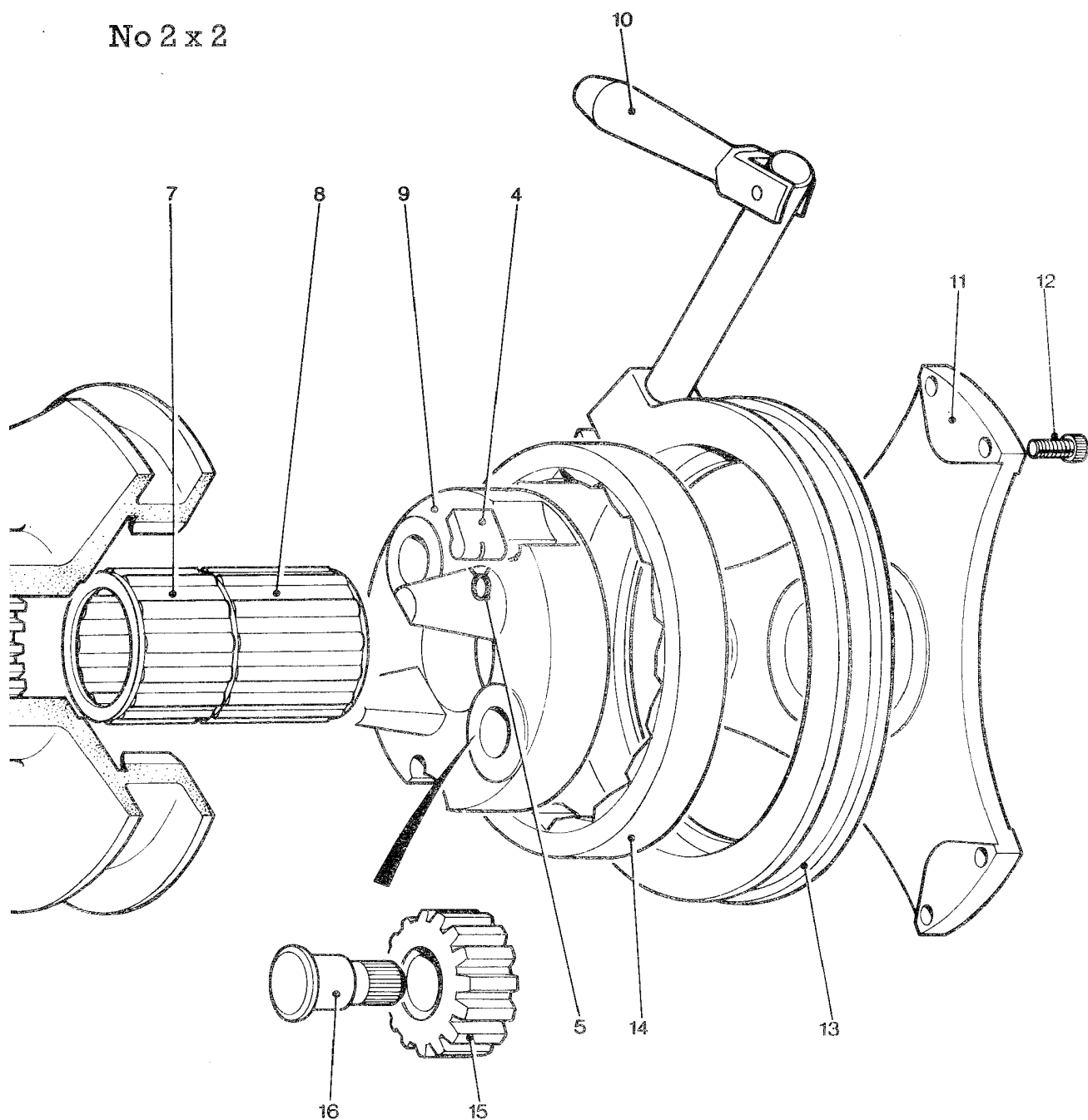
**V** Fit brake strap (13) over ratchet ring (14).

**W** Replace locking arm (10) in brake strap (13).

**X** Replace base plate (11) and fasten with six allen screws (12).

**Y** Replace winch on boat.

No 2 x 2



Parts list

Item Number	Part Number	Description	No. Off
1	1280/1	Drum Casing	1
2	1280/3	Spindle	1
3	B0705	¼" UNC Socket Grub Screw x 3/8" long	2
4	1260/8	Pawl	4
5	1260/7	Pawl Spring	4
6	1280/2	Drum	1
7	1287/SA1	Cage Assembly Bearing	1
8	1264/SA2	Cage Assembly Bearing	1
9	1280/6	Planet Carriage	1
10	15001010	Brake Lever	1
	15001009	Handle Rivet	1
	1282/7	Brake Screw	1
11	1280/5	Base Plate	1

12	B0705	2BA Socket Head Cap Screw ½" long.	6
13	1280/4	Brake Strap	1
14	1280/7	Ratchet Ring	1
15	1280/8	Idler Gear	2
16	1280/9	Idler Spindle	2
17	B1630	Bush	1
18	1283/13	Insert	3
19	1280/10	Strip Bearing	1

\* Fixed Assembly

Spare Parts Kit  
Halliard Reel No 2 x 2  
Cat No 19703400  
Contents  
4 x Spring Pt No 1260/7  
4 x Pawl Pt No 1264/8  
2 x Grub Screw Pt No B0904  
2 x Grub Screw Pt No B0901