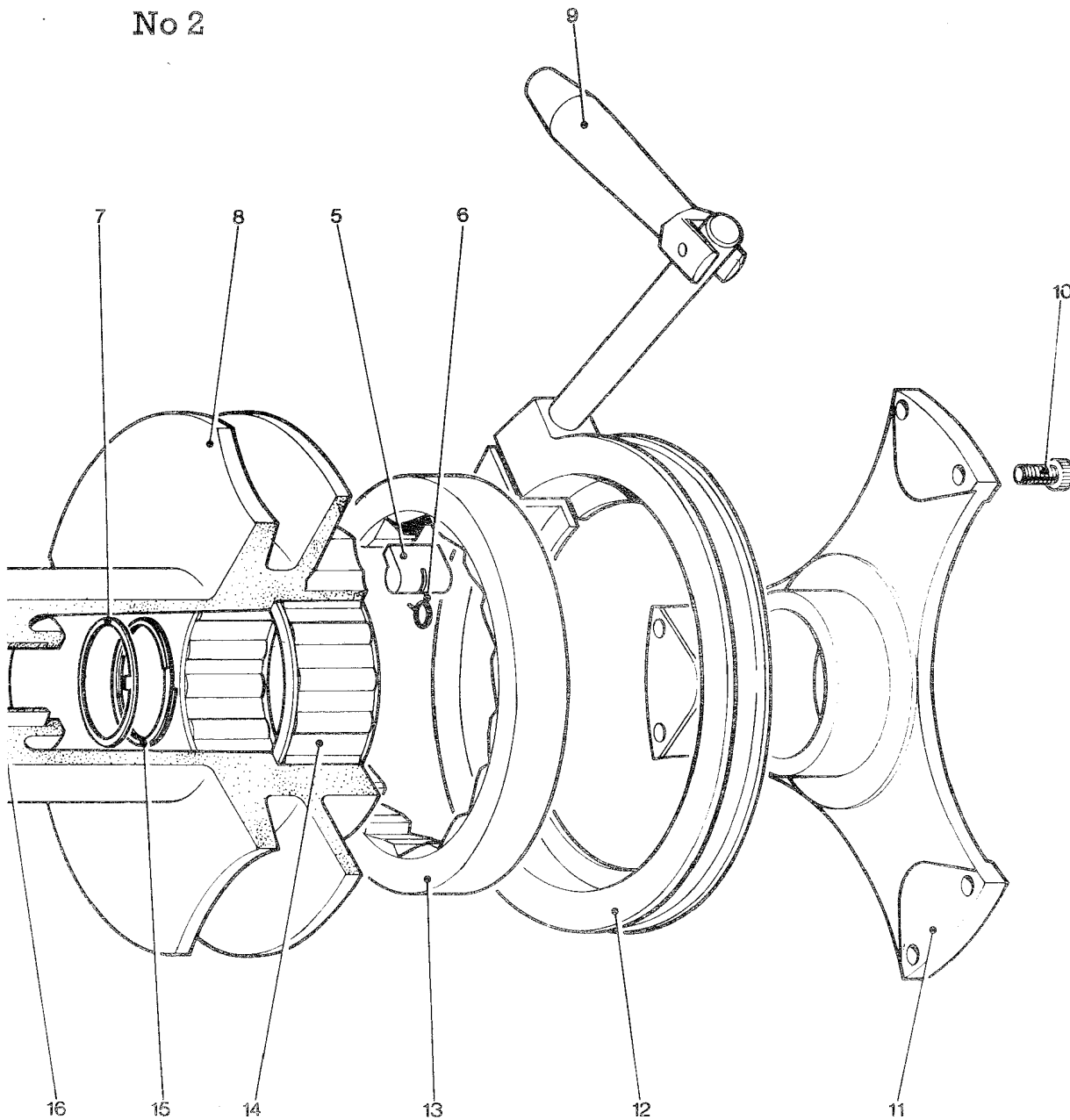


Maintenance No. 2

- A** Remove halliard wire from drum (8) by releasing grub screws (4) and remove winch from boat.
- B** Remove base plate (11) by releasing six allen screws (10).
- C** Remove bearing (14) from recess in drum (8).
- D** Unscrew locking arm (9) releasing brake strap (12).
- E** Lift off brake strap (12) and remove ratchet ring (13).
- F** Remove drum (8) from drum casing (1).
- G** Remove spindle (3) from drum (8) by removing circlip (15) and tab washer (7) from bottom of spindle (3).
- H** Clean outer surface of ratchet ring (13) with light abrasive.
- I** Clean thoroughly all parts using kerosene (paraffin) or white spirit. Dry with a non-fluffy cloth. Ensure that the outer surface of ratchet ring (13) and the inner surface of brake strap (12) are

- free from grease.
- J** Check tape bearing (2) in drum casing (1).
- K** Check that pawls and springs (5 & 6) in top and bottom of drum (8) are free and oil lightly.
- L** Replace spindle (3) in drum (8) retaining it with tab washer (7) and circlip (15).
- M** Replace drum (8) in drum casing (1).
- N** Replace ratchet ring (13) on drum (8). Check that ratchet ring (13) is fitted correctly to ensure that pawls (5) are properly located in ratchet ring (13). See inset detailed drawing.
- O** Fit brake strap (12) over ratchet ring (13).
- P** Replace locking arm (9) in brake strap (12).
- Q** Replace bearing (14) in drum (8).
- R** Replace base plate (11) and fasten with six allen screws (10).
- S** Replace winch on boat.

No 2



Parts list

Item Number	Part Number	Description	No. Off
1	1282/1	Drum Casing	1
2	1282/8	Bush	1
3	1266/3	Main Spindle	1
4	B0901	1/4" UNC Grub Screw x 3/8" long	2
5	1260/8	Pawl	4
6	1260/7	Pawl Spring	4
7	1266/6	Tab Washer	1
8	1282/2	Drum	1
9	15001010 15001009 1282/7	Brake Lever Handle Rivet Brake Screw	1
10	B0705	2BA Cap Screw x 1/2" long	6
11	1282/5	Base Plate	1
12	1280/4	Brake Strap	1
13	15001004	Ratchet Ring	1
14	1260/SA2	Cage Assembly Bearing	1

15	B2080	Circlip, Spirolox	1
16	1266/9	Nylon Bearing Strip	1
17	1283/13	Casing Insert	3

* Fixed Assembly

Spare Parts Kit
Halliard Reel No 2
Cat No 19702400

Contents
1 x Tab Washer Pt No 1266/6
4 x Spring Pt No 1260/7
4 x Pawl Pt No 1260/8
2 x Grub Screw Pt No B0901
1 x Circlip Pt No B2076
1 x Circlip Pt No B2080