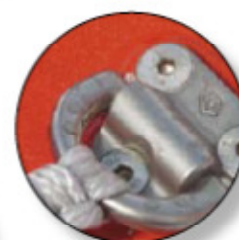
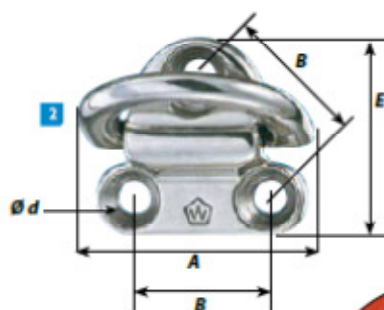
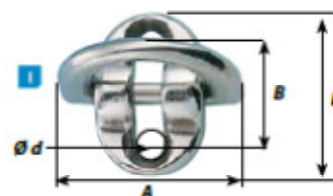


Folding pad eyes



The Wichard double folding pad eyes have been designed to attach several shrouds or a removable stay.



Benefits

- ▶ Registered design - Made in France
- ▶ Hot forged
- ▶ Available in single and double models
- ▶ Available in 316L s/s or Titanium
- ▶ Outstanding working loads in all positions
- ▶ Compact, can be folded
- ▶ Silicon pad to reduce noise and vibrations
- ▶ Aesthetic
- ▶ Multi-use: fastening, shrouds, blocks, jackstays etc...

N°	Part #	ØD mm	A mm	B mm	C mm	Ød mm	E mm	WL Kg	BL Kg	Weight Kg
Universal folding pad eye										
1	6584	6	45	23	14	6,4	40	720	1600	0,056

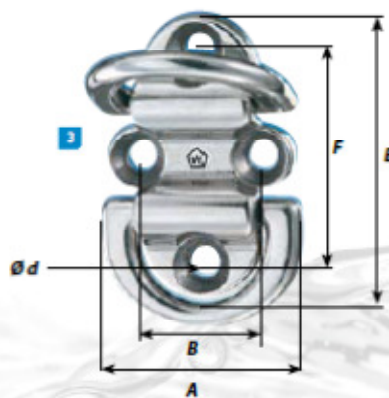
Folding pad eye «patented»										
2	6504	6	45	27	14	6,4	40	1440	2700	0,067
2	6505	8	59	35	17	8,5	50	2400	4500	0,136
2	6506	10	75	45	23	10,5	65	4080	8000	0,286

Titanium folding pad eye «patented»										
2	56504	6	45	27	14	6,4	40	1600	3000	0,040
2	56505	8	59	35	17	8,5	50	2720	5000	0,080
2	56506	10	75	45	23	10,5	65	4560	8500	0,174

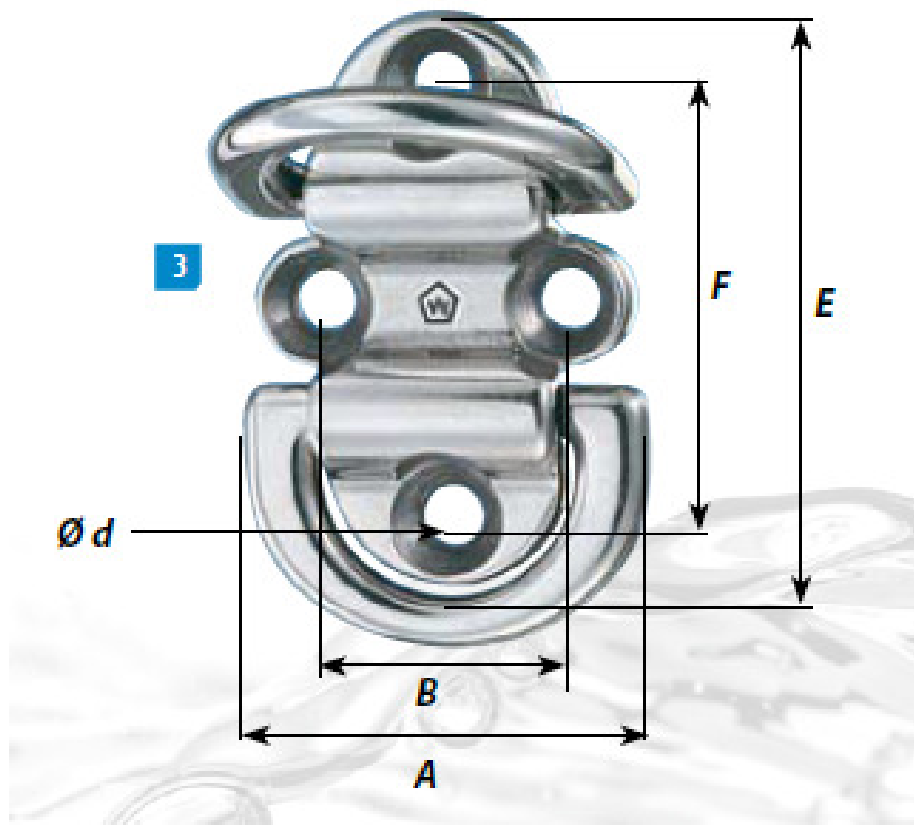
The Wichard double folding pad eyes have been designed to attach several shrouds or a removable stay.

N°	Part #	ØD mm	A mm	B mm	C mm	Ød mm	E mm	F mm	WL Kg	BL Kg	Weight Kg
Double folding pad eye											
3	6564	6	45	27	14	6,4	75	59	1440	2500	0,126
3	6565	8	59	35	17	8,5	81	59	2400	4300	0,252
3	6566	10	75	45	23	10,5	104	78	4560	9000	0,494

WL: working load - BL: breaking load



Double



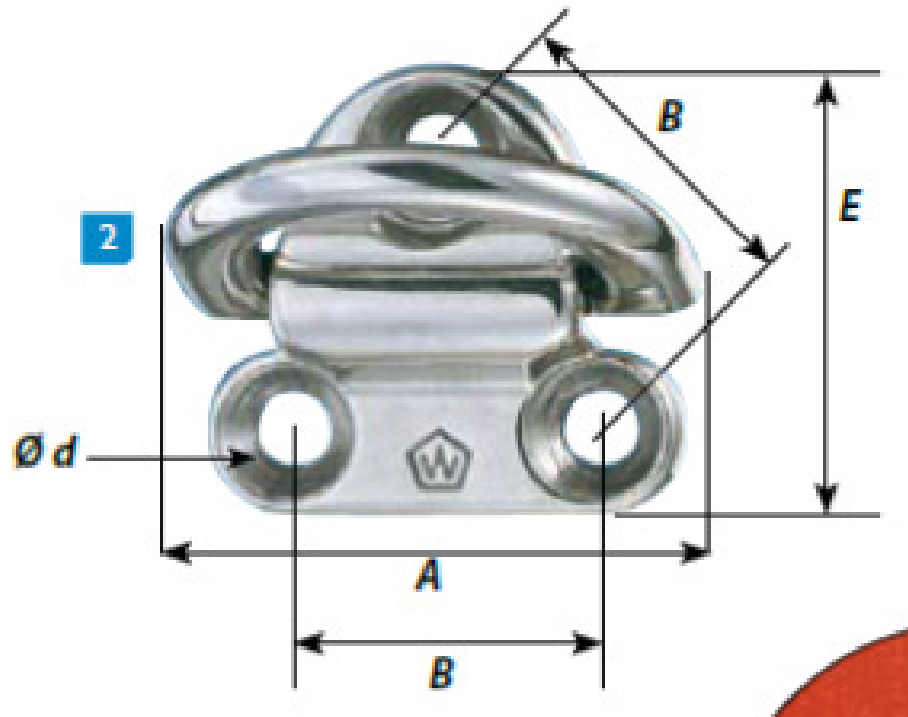
The Wichard double folding pad eyes have been designed to attach several shrouds or a removable stay.

N°	Part #	Ø D mm	A mm	B mm	C mm	Ø d mm	E mm	F mm	W.L. Kg	B.L. Kg	Weight Kg
Double folding pad eye											
3	6564	6	45	27	14	6,4	75	59	1440	2500	0.126
3	6565	8	59	35	17	8,5	81	59	2400	4300	0.252
3	6566	10	75	45	23	10,5	104	78	4560	9000	0.494

WL: working load - BL: breaking load

SINGLE

Fore



Aft

N°	Part #	Ø D mm	A mm	B mm	C mm	Ø d mm	E mm	W.L. Kg	B.L. Kg	Weight Kg
----	--------	--------	------	------	------	--------	------	---------	---------	-----------

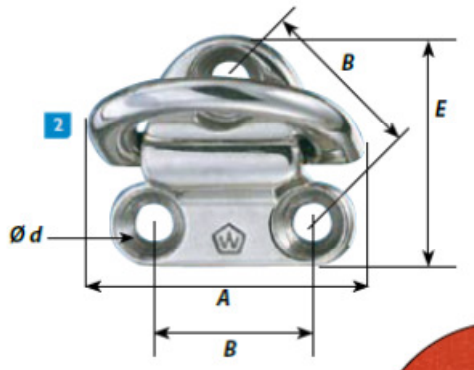
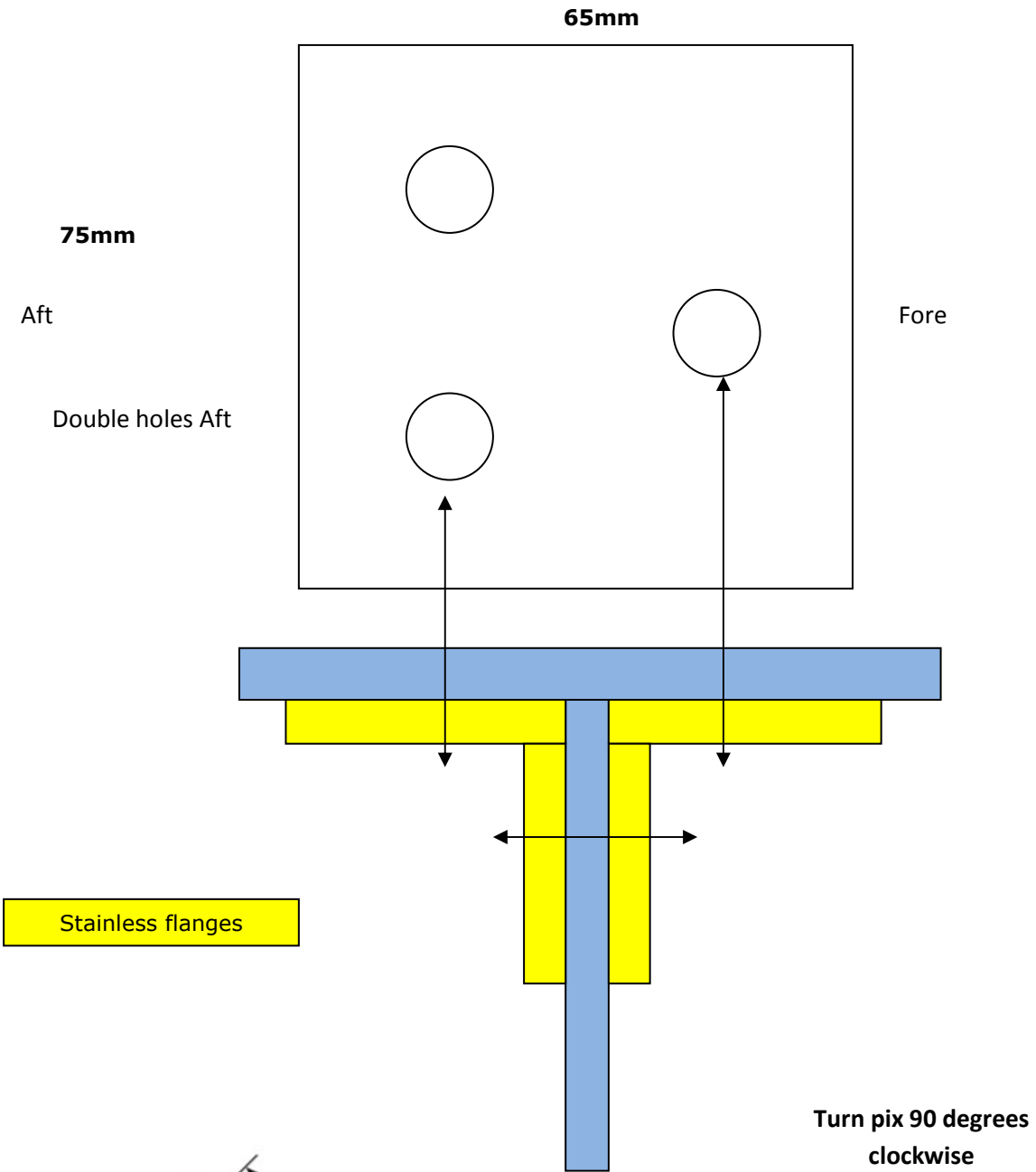
Folding pad eye «patented»

2	6504	6	45	27	14	6,4	40	1440	2700	0.067
2	6505	8	59	35	17	8,5	50	2400	4500	0.136
2	6506	10	75	45	23	10,5	65	4080	8000	0.286

Titanium folding pad eye «patented»

2	56504	6	45	27	14	6,4	40	1600	3000	0.040
2	56505	8	59	35	17	8,5	50	2720	5000	0.080
2	56506	10	75	45	23	10,5	65	4560	8500	0.174

6506 Wichard Folding Single Pad eye



See below Keelson attachment

6506 Wichard Folding Single Pad eye

65mm

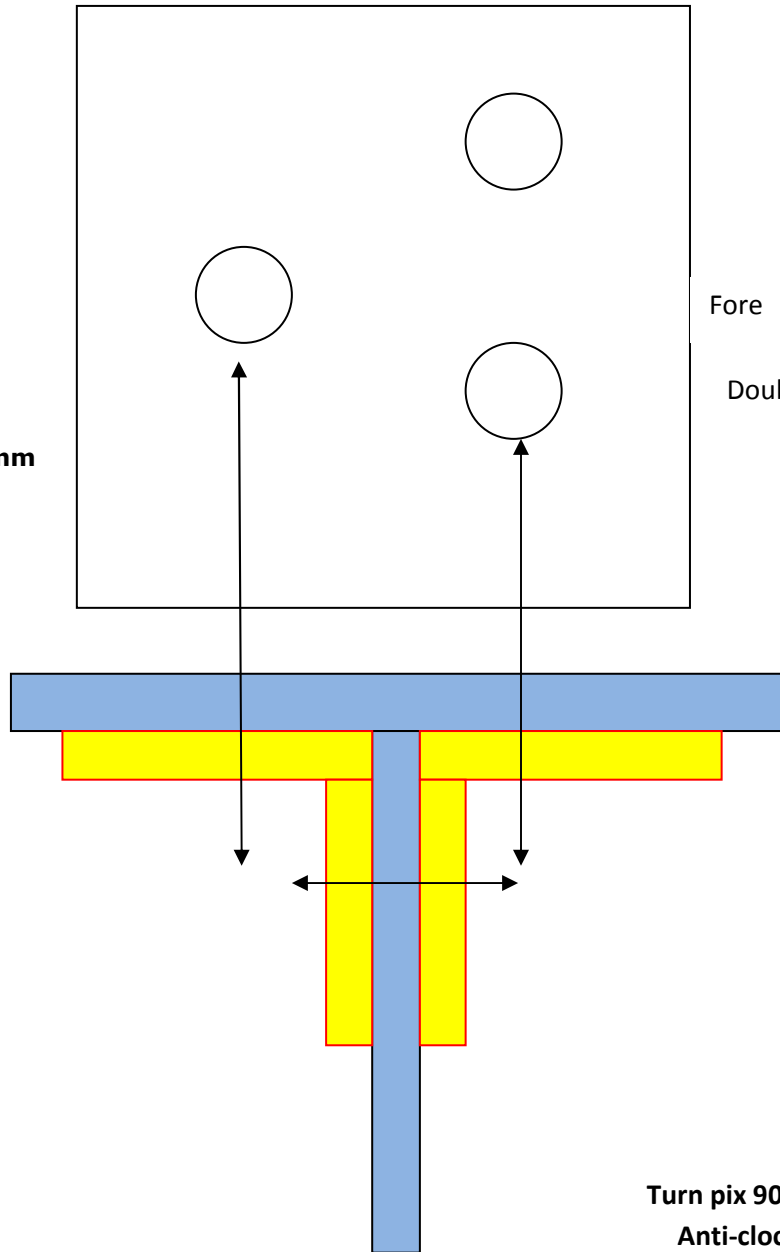
Aft single hole

Aft

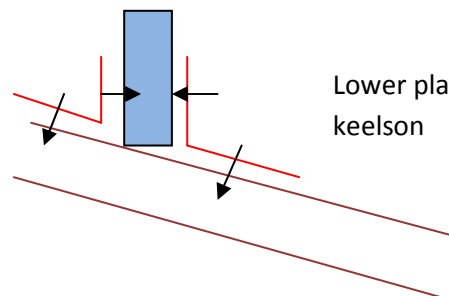
75mm

Fore

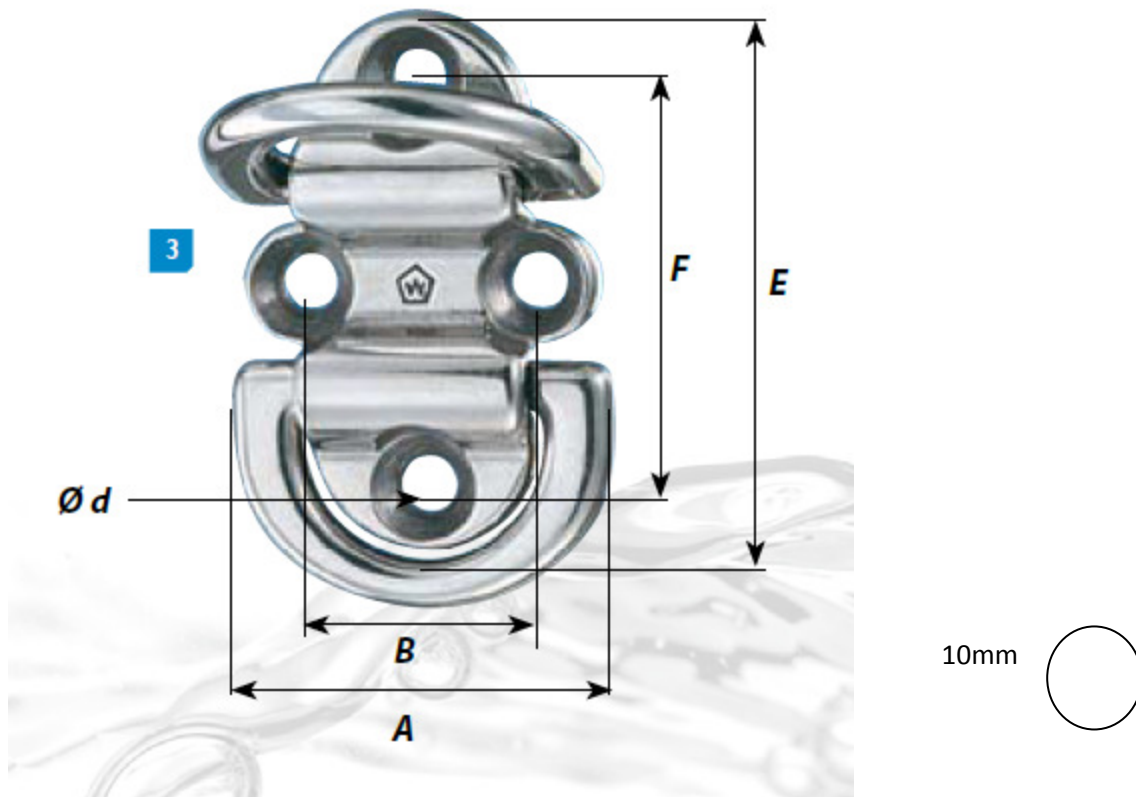
Double holes Fore



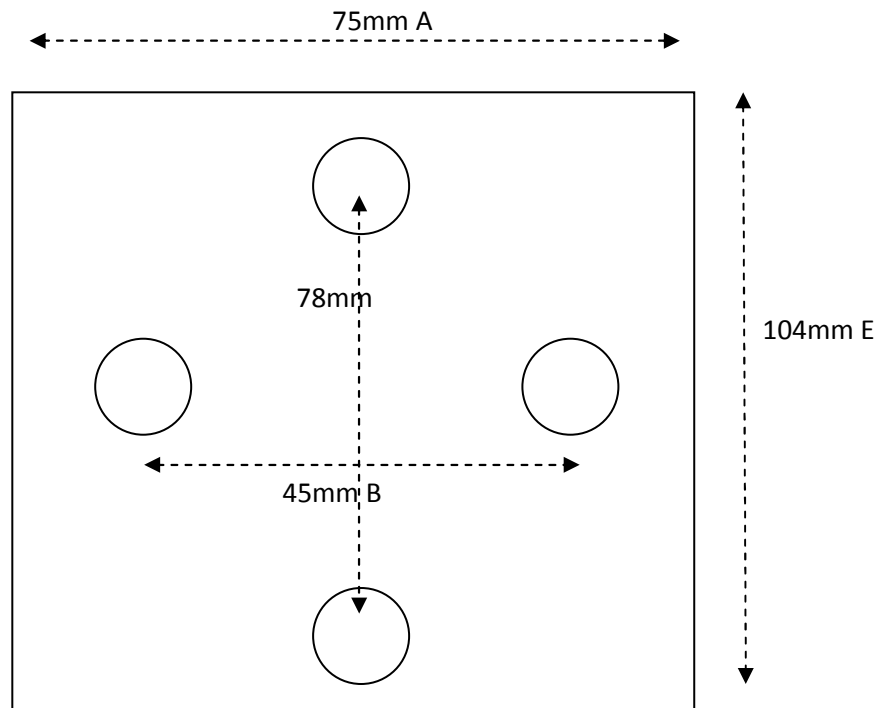
**Turn pix 90 degrees
Anti-clockwise**



Lower plates attach to
keelson



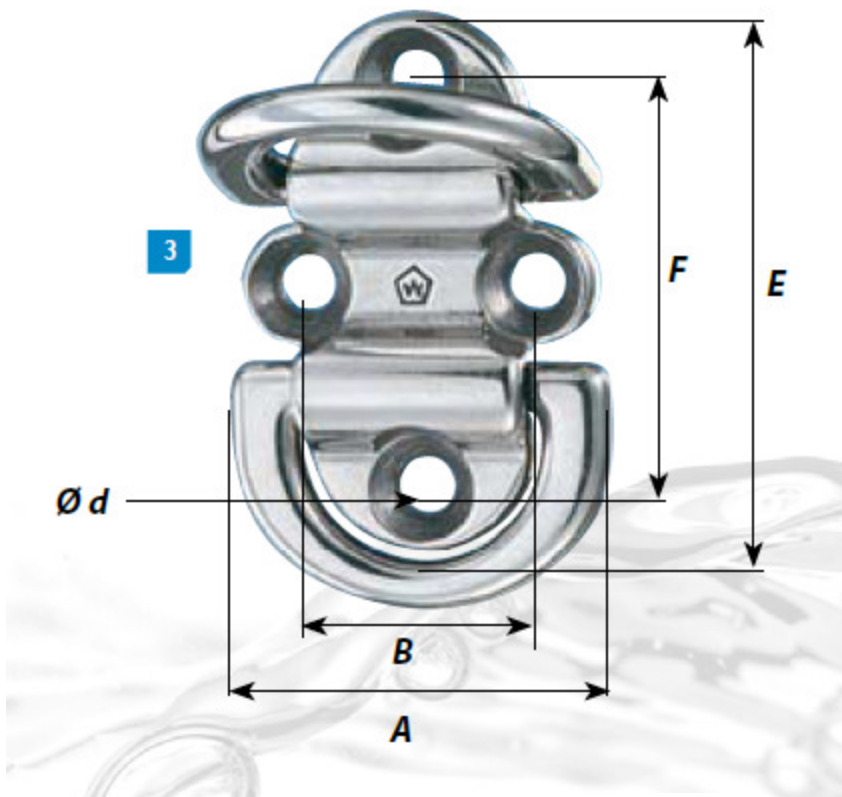
Double 6566



The Wichard double folding pad eyes have been designed to attach several shrouds or a removable stay.

N°	Part #	ØD mm	A mm	B mm	C mm	Ø d mm	E mm	F mm	W.L. Kg	B.L. Kg	Weight Kg
Double folding pad eye											
3	6564	6	45	27	14	6,4	75	59	1440	2500	0.126
3	6565	8	59	35	17	8,5	81	59	2400	4300	0.252
3	6566	10	75	45	23	10.5	104	78	4560	9000	0.494

WL: working load - BL: breaking load



Double 6566